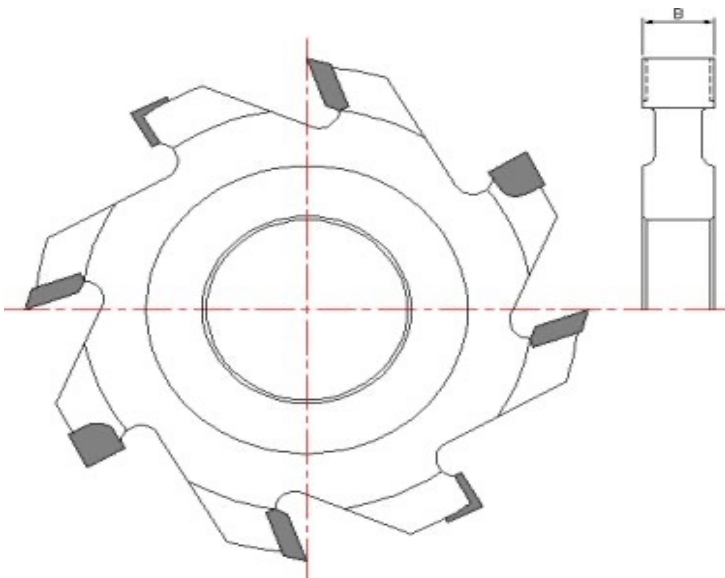




CROOVING CUTTER WITH SPURS

- HW (HM) / HS (HSS) Z=4+2+2



MORE INFORMATION? PLEASE CONTACT US!

Micor Tooling, Industrigatan 10, 312 34 Laholm, Sweden
+46 (0) 430 492 00, support@micortooling.com